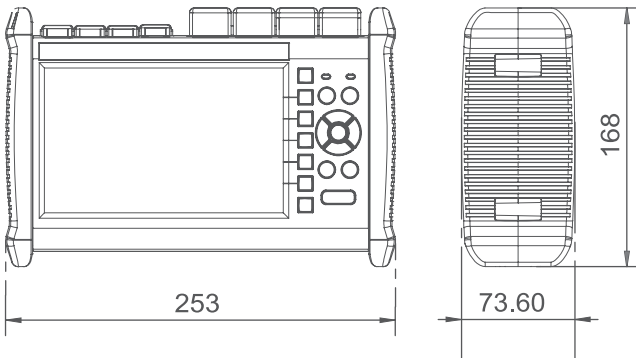




### FHO5000 Series OTDR

- Multiple dynamic range and wavelength combinations can be customized
- Support pass through 1x64 splitters
- With online light alarm function
- FLM (Fiber Link Map ) function, icon display fiber events
- Remote control on PC software is available
- Multi languages selection



Items		Specifications
Pulse Width	SM	3ns, 5ns, 10ns, 20ns, 50ns, 100ns, 200ns, 500ns, 1μs, 2μs, 5μs, 10μs, 20μs
	MM	850nm: 3ns, 5ns, 10ns, 20ns, 50ns, 100ns, 200ns, 500ns, 1us 1300nm: 3ns, 5ns, 10ns, 20ns, 50ns, 100ns, 200ns, 500ns, 1us, 2us
Distance Range	SM	100m, 500m, 2km, 5km, 10km, 20km, 40km, 80km, 120km, 160km, 240km
	MM	850nm: 500m, 2km, 5km, 10km 1300nm: 500m, 2km, 5km, 10km, 20km, 40km, 80km
Sampling Resolution		Min 0.05m
Sampling Points		Max 128,000
Linearity		≤0.05dB/dB
Loss Threshold		0.01dB
Loss Resolution		0.001dB
Distance Resolution		0.01m
IOR Setting		1.2000~1.7000
Distance Accuracy		±(1m+test distance×3×10 <sup>-5</sup> +sampling resolution) (excluding IOR uncertainty)
Memory Aapacity		80,000 groups curve

Let's do in the grandway!





Items	Specifications
VFL	10mW, CW/2Hz
Interface	1*RJ-45, 3*USB (Type A×2, Type B×1)
Display	7-inch TFT-LCD (touch screen is optional)
Battery	7.4V/4.4Ah lithium battery (with air traffic certification)
Temperature	Working Temp: -10°C~+50°C; Storage Temp: -20°C~+70°C
Humidity	≤95% (No-condensation)
Dimension	253×168×73.5mm
Weight	1.5kg (with battery)
Accessories	Power adapter, Charge cord, Lithium battery, FC adapter, USB cable, Quick guide, Test report, CD, Carrying bag, Wrist strap
Optional	SC/LC adapter, Fiber microscope, Launch cable box

Model	Wavelength	Dynamic Range	Dead-zone
FHO5000-D26	1310/1550nm	26/24dB	0.8/4m
FHO5000-D35		35/33dB	0.8/4m
FHO5000-D40		40/38dB	1/4m
FHO5000-D43		43/41dB	1/5m
FHO5000-D45		45/43dB	0.8/3.6m
FHO5000-TP35	1310/1490/1550nm	35/33/33dB	0.8/4m
FHO5000-T40F	1310/1550/1625nm	40/38/38dB	1/4m
FHO5000-T43F		43/41/41dB	1/5m
FHO5000-TC35F	1310/1550/1650nm	35/33/31dB	1/5m
FHO5000-M21	850/1300nm	19/21dB	1.2/8m
FHO5000-MD21	850/1300nm	19/21dB	1.2/8m
	1310/1550nm	35/33dB	0.8/4m
FHO5000-MD22	850/1300nm	19/21dB	1.2/8m
	1310/1550nm	40/38dB	1/4m

#### Notes

- 1: Please consult us for more customized models
- 2: Model T40F/T43F/TC35F are integrated built-in filter
- 3: Dynamic range is measured with 20us pulse width, averaging time is 180s, SNR=1;
- 4: Event dead-zone is measured with 3ns pulse width
- 5: Attenuation dead-zone is measured with 5ns pulse width

