

VIEW8 PRO

BELIEVE YOUR EYES

PREMIUM CORE ALIGNMENT FUSION SPLICER W/ A CLOUD-BASED OPERATION & MANAGEMENT SYSTEM

- Built-in IoT Module for Mobile Data Communication
- Web-based, Real-time Operation System
- Precise Fiber Core Alignment Technology
- Active Asset & Work Management Platform
- 5" Color HD Touch Screen
- Double Tapping (Zoom in & Out)
- User Friendly Interface with Built-in Videos
- Ultra High Capacity Battery
- High Definition CMOS
- Advanced Multi-Control Industrial CPU for motors



Jas Technologies S.A.
Telecom Distributor



You dream,
we **DESIGN**

CLOUD MANAGEMENT SYSTEM FEATURES



REAL-TIME TRACKING



REPORT & DATA MANAGEMENT



JOB & WORK MANAGEMENT



DEVICE MANAGEMENT

DESCRIPTION

VIEW8 PRO is a premium core-alignment splicer with the world's highest specification, offers maximum work efficiency through the quick mode of 6s splice time and 9s heating time.

In addition to the machine's superior hardware and technical specifications, the fusion splicer has a built-in IoT module that connects to the INNO's View Pro Cloud Management System for real-time operation and management online. This innovative cloud-based solution is designed to create the most advanced and yet most uncomplicated splicing and work experiences ever.

View Pro Cloud Management System

View Pro Management System is an integrated cloud-based software platform for INNO's splicers. This innovative web-based application allows both technicians and managers of the splicers to maximize the use of its assets and to achieve the highest work efficiency. Real-time communications with tiered access rights and options to manage job orders, manage splicing machines, and send/receive reports are only a small part of the innovative work processes offered by the View Pro.



INNO's Pro Series Splicers

INNO iCloud Server

Log in to the View Pro Management System via the web to access and manage splicers

FEATURES

viewPro
Real-Time Tracking

viewPro
Report & Data Management

viewPro
Device Management

viewPro
Job & Work Management

DASHBOARD

Device Management
Manage splicers' maintenance & service needs such as SW update, calibration, spare parts

Job/Work Management

Share and manage job/work to maximize efficiency and productivity

The screenshot shows the 'View Pro Manager' dashboard. On the left is a sidebar with a tree view of devices. The main area features a map of San Francisco with several location pins. A pop-up window for 'Name: Team_A.3' shows details like 'Splice VIEW8PRO.3', 'FIBRE: 1440 PRO', 'Battery: 85%', and 'ADDRESS: 2211 Q-14, 103638'. Below the map is a table with the following data:

No.	Date	Time	Device Name	User	Model	Estimate Loss	Status Value	Last Splice	Splice Angle
1	2021-04-18	16:20:12	Team_D_1	inno45102@gmail.com	view8 Pro	-	OK_AUTO	-	35°
2	2021-04-18	16:20:12	Team_D_1	inno45102@gmail.com	view8 Pro	-	OK_AUTO	-	35°
3	2021-04-18	16:20:12	Team_D_1	inno45102@gmail.com	view8 Pro	-	OK_AUTO	-	35°
4	2021-04-18	16:20:12	Team_D_1	inno45102@gmail.com	view8 Pro	-	OK_AUTO	-	35°
5	2021-04-18	16:20:12	Team_D_1	inno45102@gmail.com	view8 Pro	-	OK_AUTO	-	35°
6	2021-04-18	16:20:12	Team_D_1	inno45102@gmail.com	view8 Pro	-	OK_AUTO	-	35°

Device Information

Device real-time location and information

Web/Cloud-Based Service
Accessible via PC with tiered access rights and authorities

Real-time, Seamless Reporting

Splice results, locations, reports, and other data can be retrieved instantaneously

TECHNICAL SPECIFICATIONS

General Specifications

Items	Specifications
Model	VIEW8 PRO
Alignment Method	Core alignment
Number of fiber	Single
Applicable fibers	SM (ITU-T G.652&G.657) / MM (ITU-T G.651) / DS (ITU-T G.653) / NZDS (ITU-T G.655)
Cladding Diameter / Coating Diameter	100µm ~ 125µm / 200µm ~ 3mm
Cleaved Length	5 ~ 16mm
Typical Splice Loss*1	SM: 0.01dB / MM: 0.01dB / DS: 0.03dB / NZDS: 0.03dB / G.657: 0.01dB
Return Loss	>> 60dB
Estimated Splice Loss	Available
Splice Time*2	Quick mode : 6 sec (Avg.) / SM Auto mode : 8 sec (Avg.)
Splice Mode	Max 128 modes
Heating Sleeve	20 ~ 60mm
Heating Time*3	9 sec (45mm, slim 60mm) , 11 sec (60mm)
Heating Mode	Max 32 modes
Tension Test	1.96 ~ 2.25N
Dimension	143W x 158D x 162H mm (with rubber bumper) 130W x 157D x 150H mm (without rubber bumper)
Weight	2.78kg (with battery) / 2.12kg (without battery)
White LED	2 White LEDs
Monitor	5.0" Color LCD display, Full touch screen
Fiber View	X, Y, XY, X/Y
Magnification	320 ~ 520x
Results Storage	10,000 Splice data / 10,000 Splice image
Power Supply	AC Input 100 ~ 240V, DC Input 9 ~ 14V
Terminal	USB Type C / Nano SIM
Battery Capacity*4	LBT-30, Typical usage: 355 cycles / Power save usage : 450 cycles
Electrode Life*5	5500 arcs discharge
GPS	Available

Environmental Condition

Items	Specifications
Operating Condition	Altitude: 0 ~ 5000m Humidity: 0 ~ 95%, non-dew Temperature: -10 ~ 50 °C Wind: up to 15m/sec
Storage Condition	Humidity: 0 ~ 95%, non-dew Temperature: -40 ~ 80 °C

Environmental Test

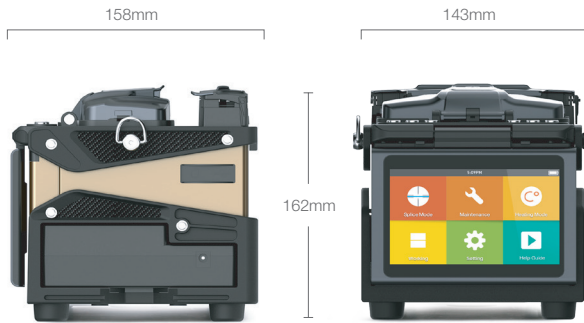
Items	Specifications
Water Resistance	IPx2
Shock Resistance	Drop from 76cm
Dust Resistance	IP5X



Notes

- * 1: Measured by cut-back method relevant to ITU-T and IEC standards.
- * 2: Measured at room temperature. Splice time may vary depending on the environmental conditions, fiber type, and fiber characteristics.
- * 3: Measured at room temperature. Heating time changes depending on the environmental conditions, sleeve type and battery pack condition.
- * 4: Test condition
(1) Splice and heat time : 2 minutes cycle ; (2) Using full charged battery ; (3) At room temperature.
— Splice & Heat cycle can be varied depending on the battery status and operation and environment condition.
- * 5: The electrode life changes depending on the environmental conditions, fiber type and splice modes.

WEIGHT AND DIMENSIONS



Height: 6.38 inches (162 mm)
 Width: 5.63 inches (143 mm)
 Depth: 6.22 inches (158 mm)
 Weight: 4.67 pounds (2.12 kg without battery)

Detailed View



PACKAGE

Standard Package

Model / Part No.	Description	
	Main Unit	
VIEW8 PRO	Fusion Splicer	
	Standard Accessories	
V10 PRO	Cleaver	1ea
FH-45	Fiber Holder	1set
FH-SOC-R	SOC Holder	1ea
HTS-SOC-04	SOC Heater Cover	1ea
JS-180300	AC Adapter	1ea
CG-22	Cooling Tray	1ea
E-70	Electrode	1set
LBT-30	Battery Pack	1ea
ACC-25	Power Cable	1ea
USB-7P	USB Cable	1ea
ICC-55	Carrying Case	1ea
IWS-06	Work Tray	1ea
WTB-01	Work Tray Bolt (M6*8)	2ea
ST-01	Shoulder Strap	2ea
Quick Reference		1ea

* USB-7P: Type-C USB to Type-A USB (Male & Female) Cable.

Optional Accessories

Model / Part No.	Description	
TK02-AP01	Alcohol pump	1ea
TK02-MP01	Stripper	1ea
CJ-11	Cigarette Lighter Cable	1ea
EG-18	Electrode Grinder	1ea
PS-60S	Heating sleeve(60mm)	1pack(100ea)



The Information on this catalog is subject to change without prior notice.