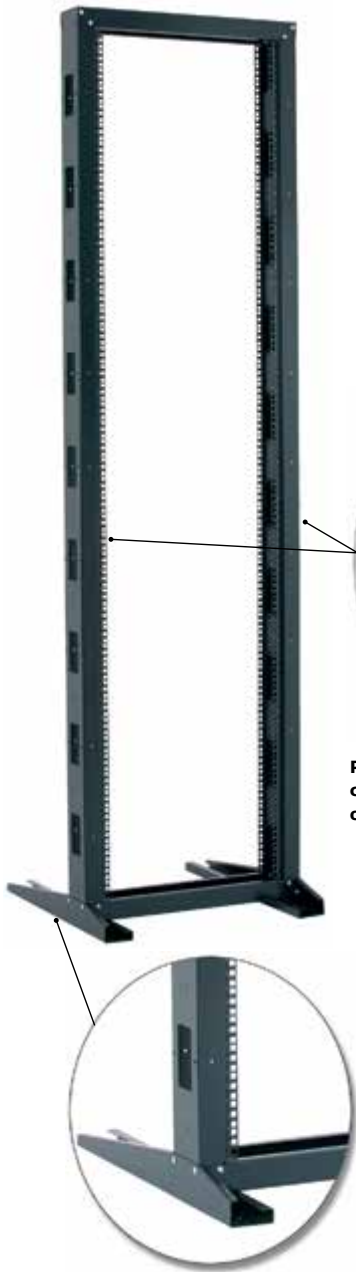


OpenRacks

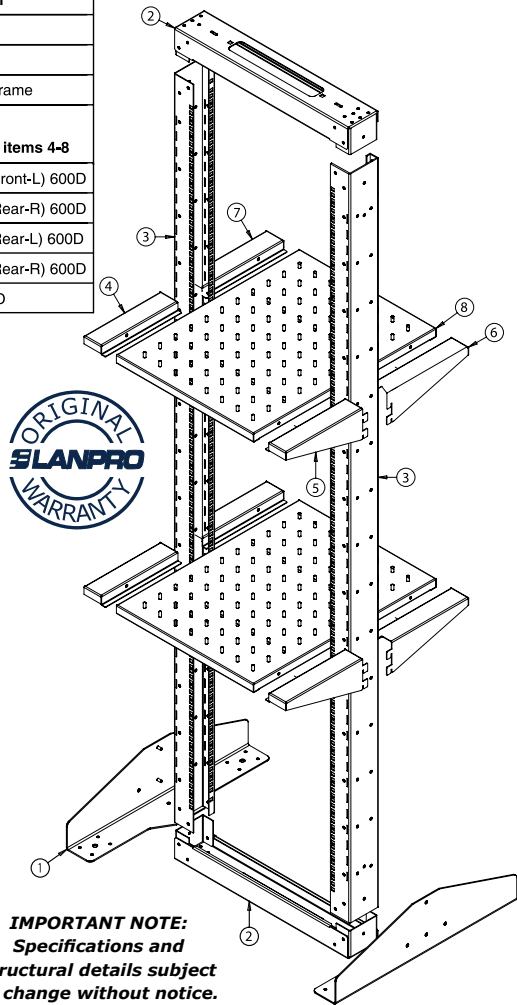


Plenty of holes for fixing cable management tie wraps or other accessories.

The asymmetry of the feet helps relieve the torque exerted on them by heavy loads on the rack. It also helps not to obstruct the front floor of people passing or working in front of the rack.

Expanded view

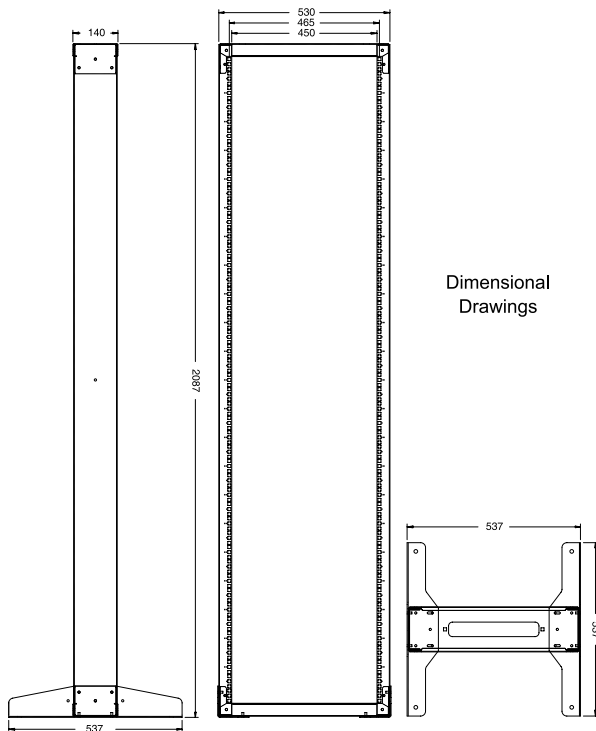
Item	Description
1	Base
2	Top-Bottom Frame
3	Vertical Mounting Frame
Optional Shelf Kit, items 4-8	
4	Shelf Fixing Brkt. (Front-L) 600D
5	Shelf Fixing Brkt. (Rear-R) 600D
6	Shelf Fixing Brkt. (Rear-L) 600D
7	Shelf Fixing Brkt. (Rear-R) 600D
8	Ventilate Shelf 600D



IMPORTANT NOTE:
Specifications and structural details subject to change without notice.

Search for "LanPro" on





Dimensional Drawings

Our multi use two post rack is a cost and space effective way to install a variety of 19" equipment. Intended primarily for patch panels or network switching equipment, the two post rack can also be fitted with shelves to support equipment.

Our Open Racks are designed with the user cabling needs in mind, the posts are not only structural features, but serve the purpose of cable management, avoiding the cumbersome use of plastic cable managers and fastening accessories.

Features

- Conforms to EIA - 310D
- Flat pack design, assembles quickly, and easily
- Heavy Duty steel construction
- Durable powder epoxy coating
- Bolts directly to floor through prepared access points
- Available in 4 heights
- U markings printed on 19" rails for easy location

LanPro 7000 Series OpenRacks, Ordering Codes.					
Model N°	Descriptions	Capacity (U)	Width (mm)	Depth (mm)	Series
LP-R71022	Rack, OpenRack 7000 Series, Width: 600 mm, Depth: 600 mm, Height: 22 U.	22	600	600	7000
LP-R71032	Rack, OpenRack 7000 Series, Width: 600 mm, Depth: 600 mm, Height: 32 U.	32	600	600	7000
LP-R71037	Rack, OpenRack 7000 Series, Width: 600 mm, Depth: 600 mm, Height: 37 U.	37	600	600	7000
LP-R71042	Rack, OpenRack 7000 Series, Width: 600 mm, Depth: 600 mm, Height: 42 U.	42	600	600	7000
LP-R71045	Rack, OpenRack 7000 Series, Width: 600 mm, Depth: 600 mm, Height: 45 U.	45	600	600	7000
LP-R71047	Rack, OpenRack 7000 Series, Width: 600 mm, Depth: 600 mm, Height: 47 U.	47	600	600	7000

4-Post Open Frame Racks, 7000 Series



The LP-R712XXXXX 7000 Series of 4-Post Open Frame Racks constitute a very economic solution for server, network, audio and telecommunication equipment rack mounting. The Frames come in four (4) Sizes: 27U, 37U and 42U, and in three (3) depths: 600mm, 800mm and 1000mm. Width is 600mm to allocate the 19" EIA standard size width of rack mounted equipment.

A variety of accessories can be selected from LanPro's wide product offering. From Power distribution Units (PDU's), to standard or sliding shelves. Also, there are cable management products in horizontal and vertical formats to suit the application.

It is easy to assemble by one person only and comes in handy boxes to save warehouse space.

Made of Steel and protected with oxide finish and black powder painted for durability.

It comes with square mounting holes and a bag of 50 sets of M6 Mounting hardware (screws and nuts). Bags of additional hardware are supplied as an option.

The LP-R712XXXXX 7000 series of 4-Post Racks is designed to securely hold heavier rack-mountable computer and data-storage equipment such as servers.

Features

- | | |
|--|---|
| <ul style="list-style-type: none"> ■ Up to 2,200 lbs. of weight capacity. ■ Square mount holes. ■ RMU (Rack Mounting Units) markings on all rails for easy equipment installation. ■ High-quality construction and craftsmanship. ■ One-person only assembly. ■ Open architecture for easy access to cables and installed equipment. | <ul style="list-style-type: none"> ■ It includes four 3/4" holes in base for mounting. ■ It comes with heavy duty castors and adjustable feet. ■ Rack Units: 27U, 37U and 42U. ■ Three depth options: 600mm, 800mm and 1000mm. ■ Rack Size: 19" (600mm total width). ■ Included Hardware: (50) M6 cage nuts & screws. |
|--|---|

4-Post Open Frame Racks, 7000 Series

LanPro 7000 Series, 4-Post Open Frame Racks, Ordering Codes.					
Model N°	Descriptions	Capacity (U)	Width (mm)	Depth (mm)	Series
LP-R71206627	7000 series 4-Post Open Frame Rack 19 inch width (600mm), 27 U height and 600mm Depth.	27	600	600	7000
LP-R71206637	7000 series 4-Post Open Frame Rack 19 inch width (600mm), 37 U height and 600mm Depth.	37			7000
LP-R71206642	7000 series 4-Post Open Frame Rack 19 inch width (600mm), 42 U height and 600mm Depth.	42			7000
LP-R71208627	7000 series 4-Post Open Frame Rack 19 inch width (600mm), 27 U height and 800mm Depth.	27	600	800	7000
LP-R71208637	7000 series 4-Post Open Frame Rack 19 inch width (600mm), 37 U height and 800mm Depth.	37			7000
LP-R71208642	7000 series 4-Post Open Frame Rack 19 inch width (600mm), 42 U height and 800mm Depth.	42			7000
LP-R71210627	7000 series 4-Post Open Frame Rack 19 inch width (600mm), 27 U height and 1000mm Depth.	27	600	1000	7000
LP-R71210637	7000 series 4-Post Open Frame Rack 19 inch width (600mm), 37 U height and 1000mm Depth.	37			7000
LP-R71210642	7000 series 4-Post Open Frame Rack 19 inch width (600mm), 42 U height and 1000mm Depth.	42			7000