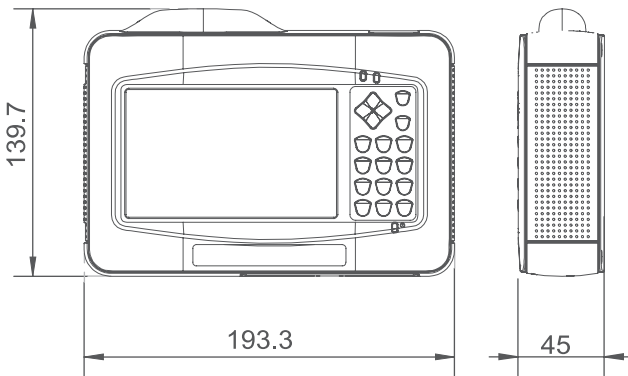




FHO3000 Mini Series OTDR

- High cost effective OTDR choice
- With online light alarm function
- 5-inch LCD touch screen
- FLM (Fiber Link Map) function, icon display fiber events
- Support customer customization needs
- One button screenshot function



Items	Specifications
Pulse Width	3ns, 5ns, 10ns, 20ns, 50ns, 100ns, 200ns, 500ns, 1μs, 2μs, 5μs, 10μs, 20μs
Sampling Resolution	Min 0.05m
Sampling Points	Max 128,000
Linearity	±0.03dB/dB
Loss Threshold	0.01dB
Loss Resolution	0.001dB
Distance Resolution	0.01m
IOR	1.2000~1.7000
Distance Accuracy	±(1m+test distance×3×10 ⁻⁵ +sampling resolution) (excluding IOR uncertainty)
Memory Capacity	80,000 groups curve
VFL	10mW, CW/2Hz
OPM	Calibrated wavelength: 850/1300/1310/1490/1550/1625/1650nm
	Test range: -60~+5dBm
Interface	3*USB port (Type A×2, micro USB×1)
Display	5-inch TFT-LCD touch screen

Let's go in the grandway!





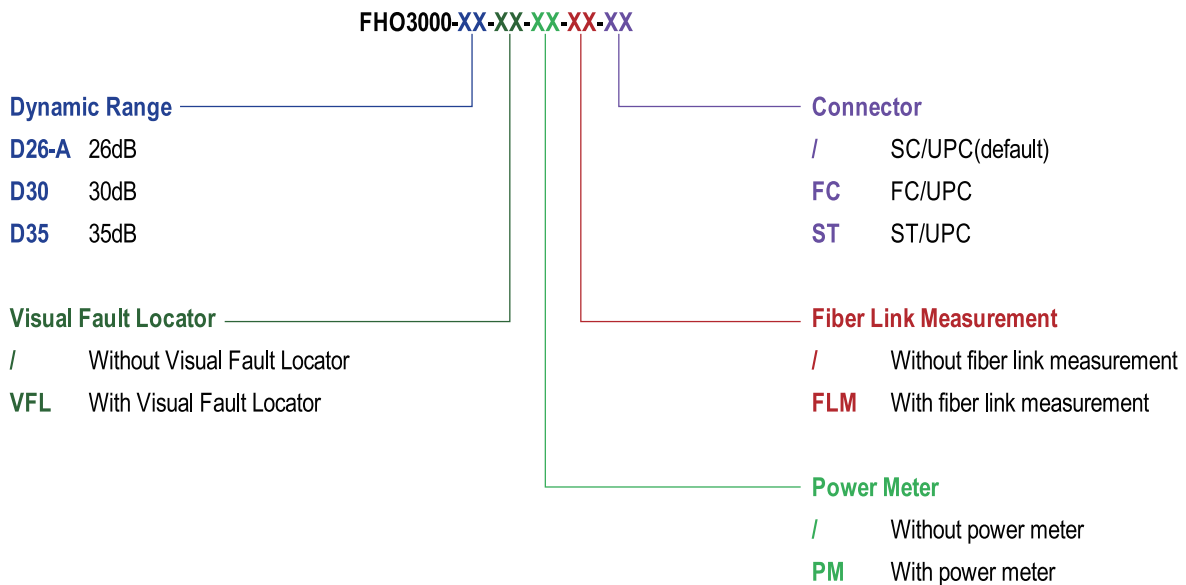
Items	Specifications
Battery	7.4V/3300mAh lithium battery, Continuous work: 6 hours(backlight off)
	Charge time: 3.5 hours
Temperature	Working temp: -10°C~+50°C; Storage temp: -20°C~+70°C
Dimension/Weight	195×141×44mm / 0.9kg(with battery)
Accessories	Power adapter, Charge cord, Lithium battery, FC adapter,USB cable,Quick guide, Test report, CD, Carrying bag, Wrist strap
Optional	SC/LC adapter, Launch cable box

Model	Wavelength	Dynamic Range	Dead-zone
FHO3000-D26-A	1310/1550nm	26/24dB	3/8m
FHO3000-D30		30/28dB	1/5m
FHO3000-D35		35/33dB	1/5m

Notes

- 1: Please consult us for more customized models.
- 2: Dynamic range is measured with 20us pulse width, averaging time is 180s, SNR=1.
- 3: Event dead-zone is measured with 3ns pulse width.
- 4: Attenuation dead-zone is measured with 5ns pulse width.

Ordering Information



Let's go in the grandway!