

LP-LRJ458P8CCAFL21

RJ45 8P8C two-part CAT 6A Fully Shielded plug with drain wire/Mesh grounding lug and gold-plated contacts and two slanted prongs for AWG 23-26 solid wire conductors.

LPLRJ458P8CCAFL21_SS_ENB01W

Features

- 8P8C head style (8 positions, 8 contacts).
- Fully shielded design.
- Grounding Lug for soldering the drain wire/mesh of the cable.
- CAT 6A standards compliance for Gigabit Ethernet.
- Extremely high quality module plugs.
- Compatible with solid wire.
- These plugs also support telephone applications at home or office cabling systems.
- Slanted gold-plated two prong contacts with 50 micro-inches of gold over 50 micro-inches of nickel pierce the solid wire laterally without breaking it or the contact, making it for better performance, higher signal strength, and the corresponding better data transmission characteristics.

**PERFORMAX**

LP-LRJ458P8CCAFL21
RJ45 8P8C two-part CAT 6A Fully Shielded plug
with drain wire/Mesh grounding lug and
gold-plated contacts and two slanted prongs
for AWG 23-26 solid wire conductors.

The RJ45 8P8C two-part CAT 6A fully shielded plug with Drain Wire/Mesh Grounding Lug and gold plated contacts with two slanted prongs for AWG 23-26 solid wire conductors is mainly used for making fully shielded patch cords with solid wires that serve the purpose of interconnection of Structured Cabling Systems based on the CAT 6A category standard.

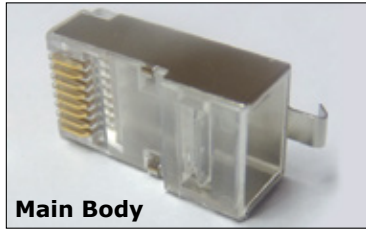
This plug has 8 contacts and a full shielded cover that can be connected to the cable shield or braid drain wire for screening with a Grounding Lug, and is compatible with the 568-A and 568-B wiring schemes. This connector can be used also in telephony applications and is able to carry up to 4 telephone pairs enabling the possibility for the telephone PABX apparatus to have up to four lines connected to the telephone company.

These plugs allow field preparation using solid AWG26 to AWG23 conductors. With a gold plated surface contact thickness of 50 micro-inches, it assures long life and a high degree of resistance against corrosion and environmental hazards.

Based on international standards like the ISO/IEC 11801, TIA 568 and EB50173, LanPro RJ45 plugs provide long life span for your structured cabling installations.

Even though LanPro does not recommend the by-hand field termination, mostly due to problems with repeatability and certification to stringent specs, the experienced and careful user can reach good and certifiable terminations. Automatic factory-made terminations are recommended and encouraged by using standard sized patch cords, also manufactured by LanPro on a variety of colors.

A Connector parts



Main Body

Figure 1



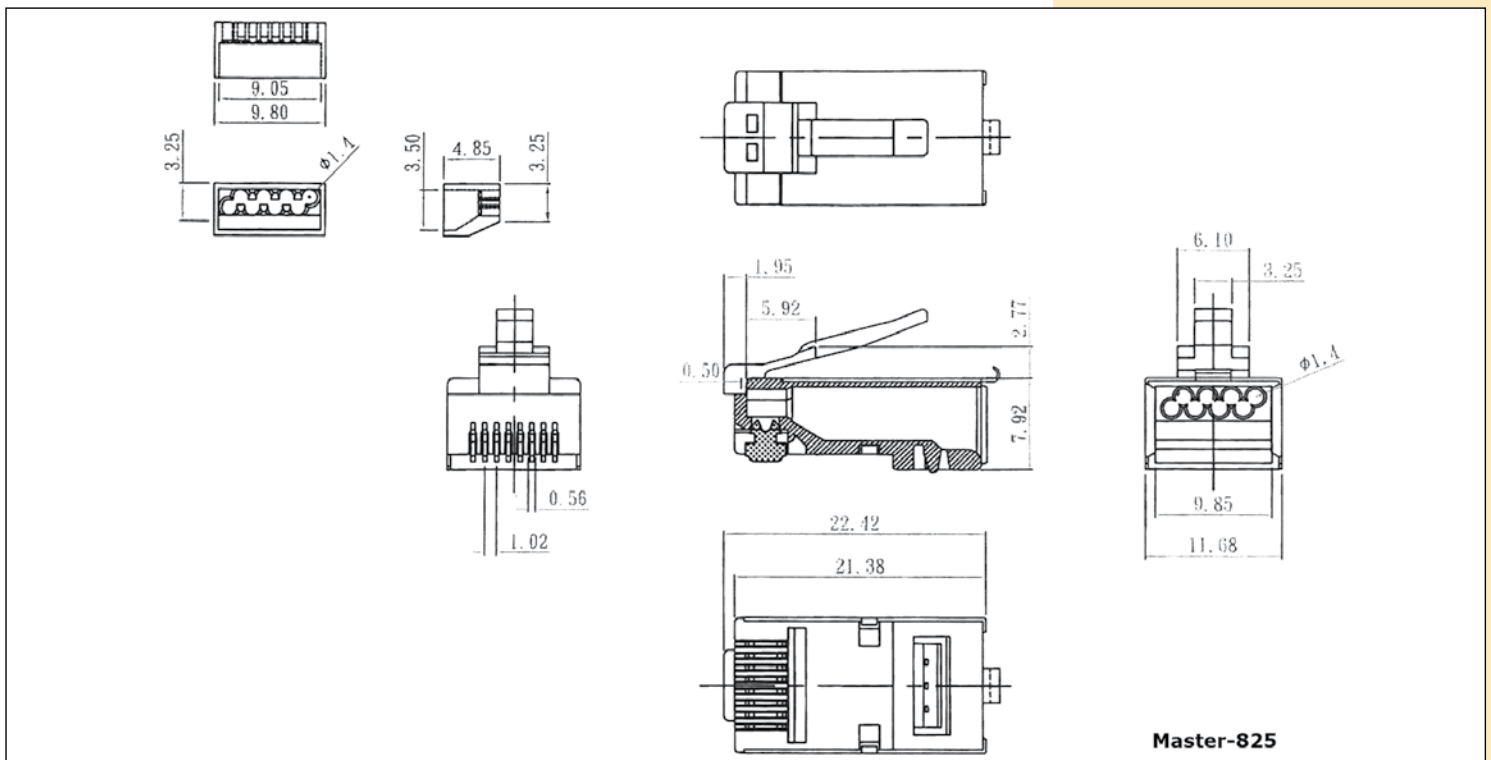
Organizer Insert

Figure 2



B Specifications

Material	<ul style="list-style-type: none"> 1.- Housing: Polycarbonate, UL 94V-2, transparent color. 2.- Contact terminal: Phosphor bronze, finish: 50 micro-inches gold plating over 50 micro-inches nickel plated on contact area. 3.- Shielding: chrome plated bronze fully shielding cover. 4.- Grounding Lug for soldering the drain wire/mesh of the cable.
Electrical characteristics	<ul style="list-style-type: none"> 1.- Applications: 150 VAC max. @ 15A @25°C, derate to 2A @ 70°C. 2.- Dielectric withstand voltage: 1000 VAC. 3.- Insulation resistance: 500 MΩ.
Performance	<ul style="list-style-type: none"> 1.- Operating temperature: -40°C to 80°C 2.- Cable-plug tensile strength: 7.7 Kg. 3.- Used for 23-26 AWG solid wires. 4.- Durability: 750 mating cycles.
Standards Compliance	<ul style="list-style-type: none"> 1.- TIA-568A and TIA-568B. 2.- IEC 60603-7. 3.- 1000BASE-T Gigabit Ethernet.

C Dimensional drawing



D Plugs Comparison Table

RJ45 8P8C Two parts CAT 6A, Fully Shielded Plugs Comparison Table		
LanPro Part No.	 <p>LP-BRJ458P8CCAFS21</p>	 <p>LP-LRJ458P8CCAFL21</p>
Type	CAT 6A STP	CAT 6A STP
Description	RJ45 8P8C Two Part CAT 6A, Fully Shielded Plug with Gold- Plated Contacts, two Slanted Prongs for AWG 22/23 Solid conductors, cable clip 1.4mm conductor hole with 1.5mm load bar for large diameter cable.	RJ45 8P8C Two Part CAT 6A, Fully Shielded plug with drain wire/Mesh grounding lug and gold-plated contacts and two slanted prongs for AWG 23/26 Solid Conductors.
Performance	CAT 6 or CAT 6A depends on cable quality	CAT 6 or CAT 6A depends on cable quality
Conductor insulation diameter range	1.30 ~ 1.40mm	1.30 ~ 1.40mm
Cable jacket diameter range	7.80 ~ 8.30mm	6.0 ~ 6.5mm
PC Boot type	Big 8.0 mm LP-B101BK1	Big 8.0 mm LP-B101BK1
Crimping Tool/Standard RJ45	LPT-236 - Crimp and cut tool for oversize plugs RJ45 model LP-BRJ458P8CCAFS21 by LanPro	Traditional RJ45 Tool (LPT-5680R)
Advantage	Terminating for larger outdoor cable outer diameter; cable clip fixes cable better; easier connecting.	No need specific tool; Good for medium to large cables.
Disadvantage	With drain wire; Need specific tool.	Drain wire need to be soldered

E How to Order

LP-LRJ458P8CCAFL21 RJ45 8P8C two-part CAT 6A Fully Shielded plug with drain wire/Mesh grounding lug and gold-plated contacts and two slanted prongs for AWG 23-26 solid wire conductors.

LanPro is continuously improving its products and reserves the right to change specifications and availability without prior notice.